

BWR Top Guide Inspection Tooling



Innovative features designed to reduce over-the-core critical path time

Industry Issue

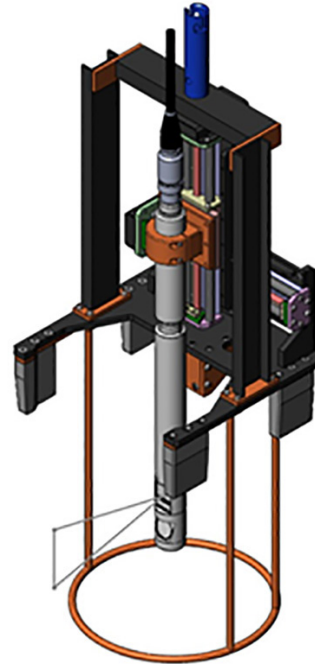
Conventional inspection of grid beams forming top guide structures in boiling water reactors is performed by manual In-Vessel Visual Inspections (IVVI). These manual inspection methods are time-consuming, expend too much dose, and do not provide stability necessary for such an inspection. The existing method also requires constant bridge support and affects the over-core window.

An Innovative Solution

AREVA developed an automated solution to deliver accurate, efficient, and quality exams to reduce the over-core schedule. This new solution increases efficiency by providing a stable platform and exact indexing to speed up the exam window compared to the manual technique. The quality of the exam is industry-recognized through use of the Diakont D-40 camera and tool positioning platform. Delivery of the tooling is simplified by utilizing a standard BWR pole fitting, significantly reducing over-the-core bridge support.

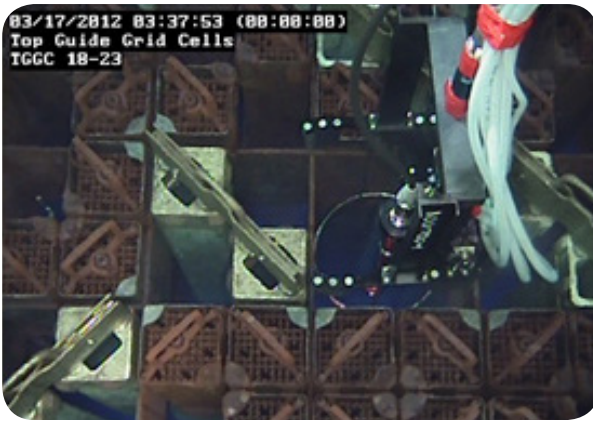
Keeping Pace with Today's Plant Requirements

Today's plants need a more efficient solution to complete their top guide inspections in a timely manner. AREVA continues to innovate its tooling and processes to deliver that commitment to its customers. With this new tooling, the top guide inspection window has been reduced by half from previous techniques.



Features and Benefits

- Designed with hard stops to assure fixture is indexed, gaining maximum exam efficiency
- Diakont D-40 camera for clear and precise images
- Simple, lightweight, FME designed to be effective for IVVI exams
- Successfully deployed at multiple BWR utilities



AREVA Inc.

155 Mill Ridge Rd., Lynchburg, VA 24502

For more information, contact

Dennis Clay

Manager BWR Solutions Initiatives

Dennis.Clay@areva.com

434.832.3811- Office 434.942.8062- Cell

Adam Zulauf

Manager of IVVI, BWR Services

Adam.Zulauf@areva.com

434.832.3534 - Office 434.221.2037- Cell

Mertis Angel-Clevenger

Business Manager, BWR Services

Mertis.Clevenger@areva.com

434.832.4662 - Office 434.386.1254 - Cell

or your VP, Key Accounts:

Tel: 704.805.2305 – Fax: 434.382.5629

regional.manager@areva.com

www.us.areva.com

The data and information contained herein are provided solely for illustration and informational purposes and create no legal obligations by AREVA. None of the information or data is intended by AREVA to be a representation or a warranty of any kind, expressed or implied, and AREVA assumes no liability for the use of or reliance on any information or data disclosed in this document. © 2016 AREVA Inc. All rights reserved.