

BIRNS ELF/EPU BATTERY

Rechargeable Sealed Lead Acid Battery



The only battery authorized for use in the BIRNS ELF, ELF-LED and EPU models 4701, 4702, 4710 and 4726, the BIRNS 06B-001 forms part of their IEEE-344 seismic qualification, and helps nuclear stations achieve B.5.b (EA-02-026) Post-Fire Safe-Shutdown.

**High Performance . . .
Under Pressure®**

Exclusive Features:

- AGM (Absorbent Glass Mat) technology provides superior performance
- Maintenance-free: no need to check or adjust electrolyte level
- Sealed, spill-proof construction and immobilized electrolyte is safe in any position

Performance Specifications

Nominal Voltage 6 VDC (3 cells)

Nominal Capacity
20 hr 1.8A to 5.25 VDC 36.0 AH
10 hr 3.35A to 5.25 VDC 33.5 AH

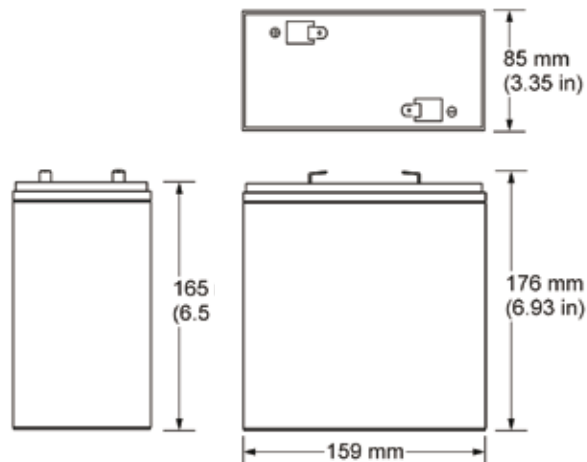
Shelf Life (% of nominal capacity at 20° C (68° F))
1 month 97%
3 months 91%
6 months 83%

Operating Temperature Range

Charge -20° C (-4° F) to 45° C (113° F)
Discharge -40° C (-40° F) to 60° C (140° F)

Physical Dimensions [± 2mm (.08 in)]

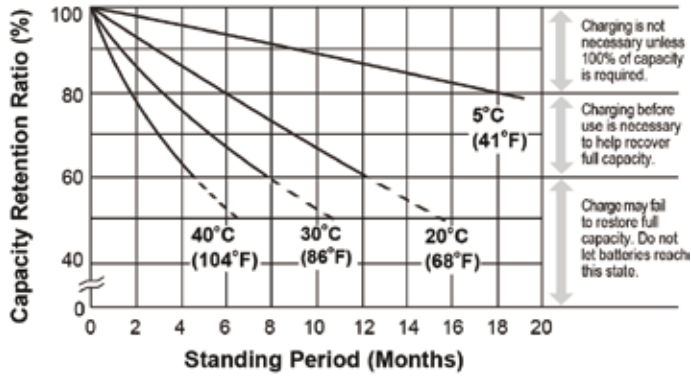
Approximate Weight 5.49kg (12.1 lbs)



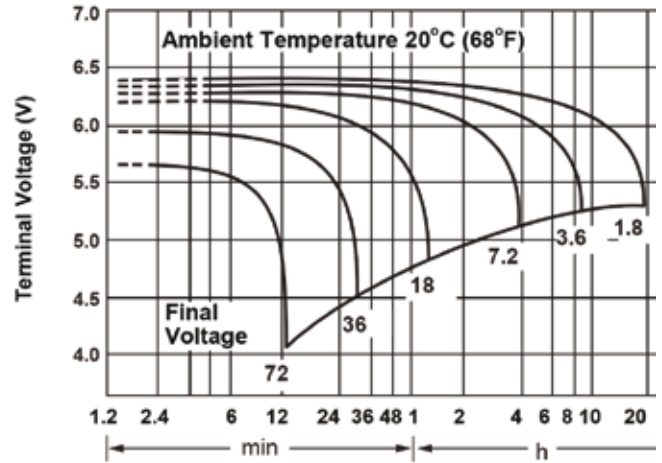
All data subject to change without notice.



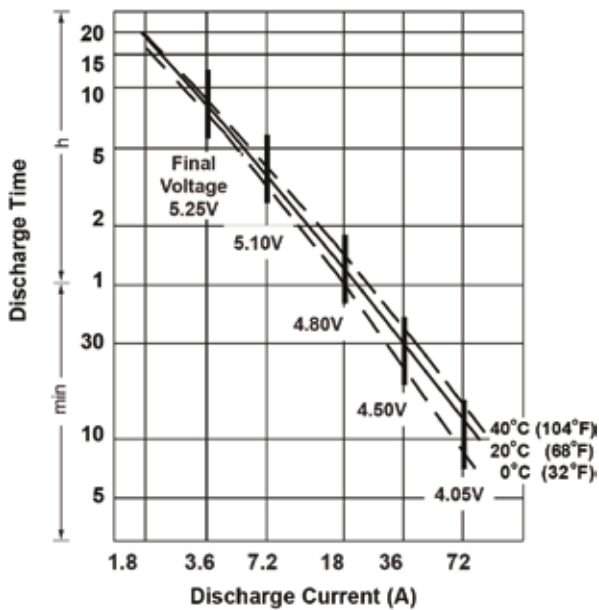
Shelf Life & Storage



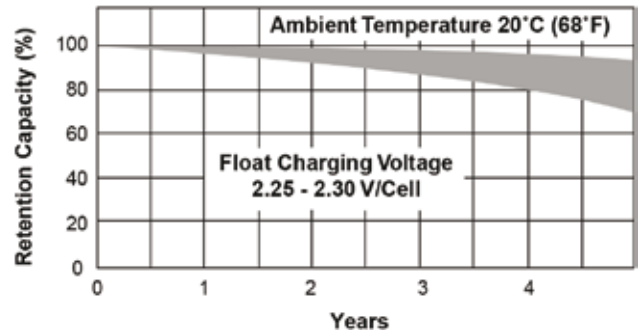
Discharge Characteristics



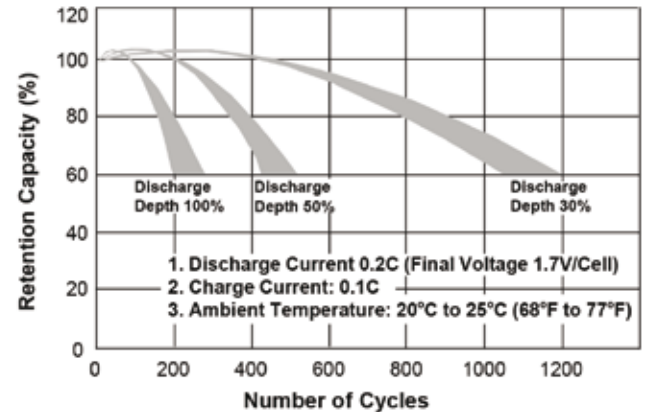
Discharge Time & Discharge Current



Life Characteristics in Stand-By Use



Life Characteristics in Cyclic Use



BIRNS' Quality Management System is
 ISO 9001:2008 Certified;
 NRC 10CFR50, App. B Compliant

Note: Due to the self-discharge characteristics of this type of battery, it is imperative that it be charged within 6 months of storage; otherwise permanent loss of capacity might occur.

AREVA Inc.
Chris Gallier
 Product Development Manager
 and Business Manager
 Chris.Gallier@areva.com
 Tel: 434.832.3510 – Cell: 434.841.6047
 us.aveva.com

The data and information contained herein are provided solely for illustration and informational purposes and create no legal obligations by AREVA. None of the information or data is intended by AREVA to be a representation or a warranty of any kind, expressed or implied, and AREVA assumes no liability for the use of or reliance on any information or data disclosed in this document.
 ©2015 AREVA Inc. All rights reserved. **10/15 ANP:U-594-V1-15-ENG**