

# Control Rod Guide Tube Inspection

CRGT Tool



Control Rod Guide Tube (CRGT) inspection tool examines your guide card to ensure safe plant operation during extended plant life.

## Complies with industry MRP-227/228 requirements

- Performs a VT-3 exam
- Accesses all CRGT Guide Card elevations
- Measures wear on any worn slot locations observed

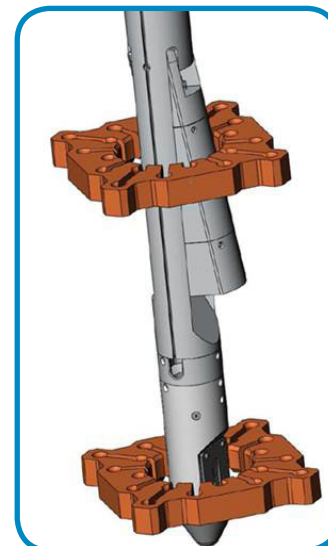
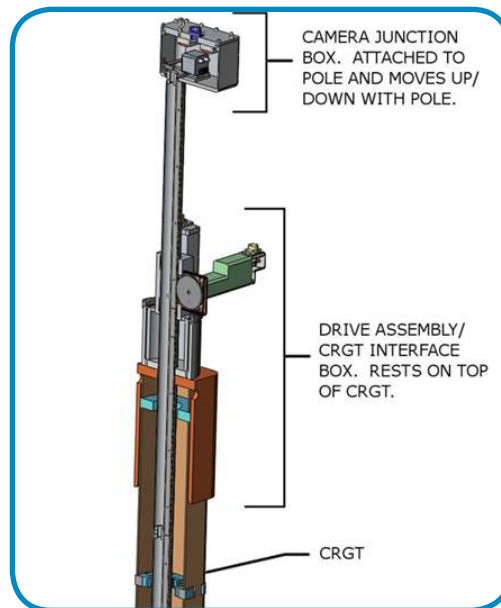
## High-resolution camera verifies wear and predicts remaining life

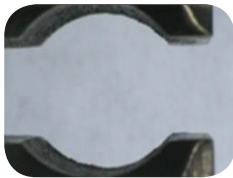
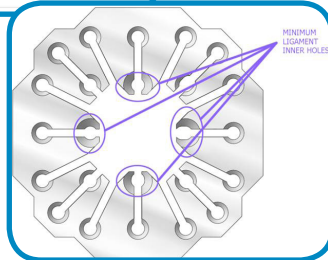
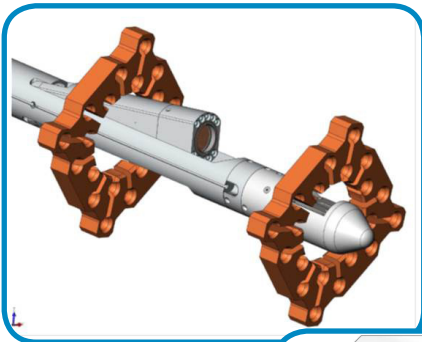
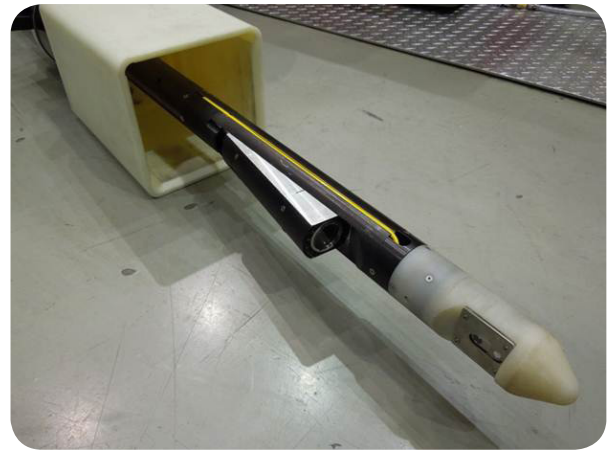
The CRGT Tool delivers a high-resolution color camera through the central opening to each guide card elevation. The process includes:

- Confirmation of the camera image against a reference standard
- Installation of the tool on the CRGT, ensuring known orientation
- Insertion to the first guide card elevation
- A 360° low-resolution, VT-3 inspection camera that scans the entire card returning to the 0° position
- Ability to switch to a high-resolution image that captures the 0° slot
- Index and repeat high-resolution capture for all slots
- All images recorded using AREVA Accurate IVVI software

## Features and Benefits

- Provides a wide angle for VT-3 inspection, delivering high resolution capability to measure guide card slot geometry for a fast, complete inspection
- Camera resolution of .0025" per pixel (.06mm/ pxl) – more than adequate for identifying wear





Minimum Wear



Stage A Wear



Stage B Wear

➤ **Simple and reliable tooling allows rapid and direct measurement of control rod guides.**

**For more information contact AREVA NDE-Solutions Regional Sales Manager at**  
[regional.manager@areva.com](mailto:regional.manager@areva.com)

**U.S.:** Eddie Ivins  
 Office: +1 434 832 3781 Cell: +1 434 841 3562

**France:** Olivier Moulin  
 Office: +33 14 978 4095 Cell: +33 62 879 6555

**Germany:** Florian Senne  
 Office: +49 9131 900 96766 Cell: +49 151 14568545

The data and information contained herein are provided solely for illustration and informational purposes and create no legal obligations by AREVA. None of the information or data is intended by AREVA to be a representation or a warranty of any kind, expressed or implied, and AREVA assumes no liability for the use of or reliance on any information or data disclosed in this document. © 2013 AREVA Inc. All rights reserved.