

Bridge and Trolley Tracking System (BATTS)



Improves fuel handling performance.

Features

- Advance positioning system that provides a highly accurate location computer that is customized for each Spent Fuel Pool / Reactor configuration
- Installs as a tool
- Precise positioning of trolley and bridge during refueling operations
- Mechanical architecture and mechanisms based on proven technologies that improved safety and reliability
- Laser positioning
- Aides movements by indicating obstructions
- HMI touch screen for the operator
- WiFi communications to supervisory PC, no cable management issues
- Utilizes ShuffleWorks™ files
- Customizable screen
- Displays pool/reactor plan view and zoomed view
- Able to be utilized with Collision Warning System, added safety feature
- Operator, spotter or SRO may sequence the electronic move sheet
- Quality control validation of all fuel moves and data saved on machine
- Off-bridge system monitoring, verify system operation during use

Additional Stearns Roger® Products

Fuel Handling Equipment

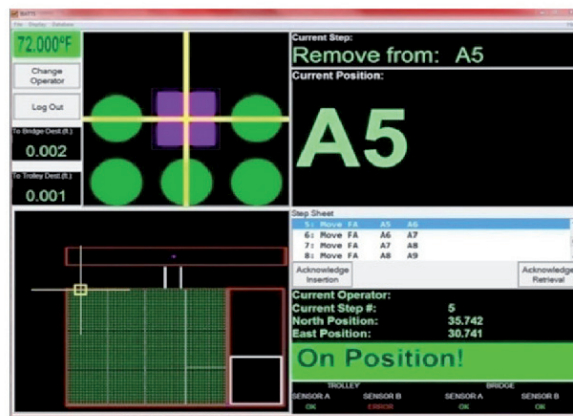
- Automated controls
- Improved 17x17 gripper
- ZZ tape replacement
- Collision warning system

Convenient Stearns Roger® Services

Fuel Handling Equipment

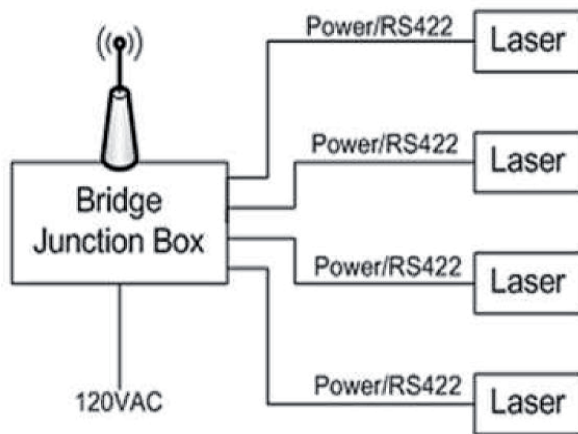
- Component Upgrade Installation
- Control Replacement Installation
- Bridge/Crane Preventive maintenance
- Outage support

BWR Cab Operator Display



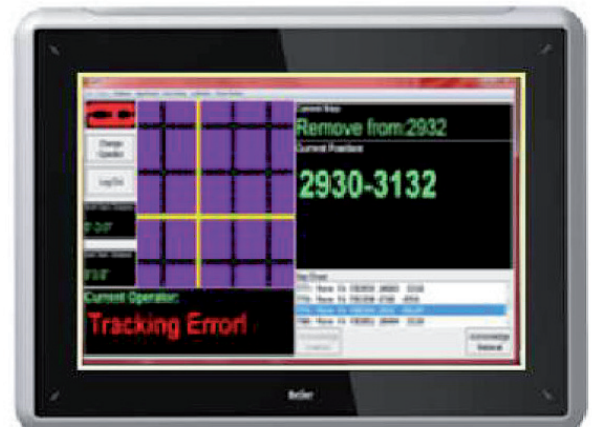
Benefits

- Improved human performance
- Reduces dose for supervisor position
- Added versatility
- Added safety features
- No cable management issues
- Verify system operation during use
- Reduces human performance errors
- Increased accuracy – does not rely on mechanical position sensors
- Human machine interface, increased functionality
- Versatile design adapts to any pool, reactor core or bridge type



Sensor & Wireless Interface

WiFi Operator Display



Supervisory CPU

AREVA Inc.

155 Mill Ridge Rd., Lynchburg, VA 24502

For more information, contact

Aaron Williams

Product Line Manager Stearns Roger® Services, AREVA Inc.
 Aaron.Williams@areva.com
 (434) 832-3422 - Office (434) 258-5399 - Cell

Stephen Morris

Business Manager Stearns Roger® Services, AREVA Inc.
 Stephen.Morris@areva.com
 (434) 832-5239 - Office (434) 941-4661 - Cell

or your VP, Key Accounts:

Tel: (704) 805-2305

us.areva.com

Stearns Roger® is a registered trademark of AREVA Inc. The data and information contained herein are provided solely for illustration and informational purposes and create no legal obligations by AREVA. None of the information or data is intended by AREVA to be a representation or a warranty of any kind, expressed or implied, and AREVA assumes no liability for the use of or reliance on any information or data disclosed in this document. ©2015 AREVA Inc. All rights reserved.